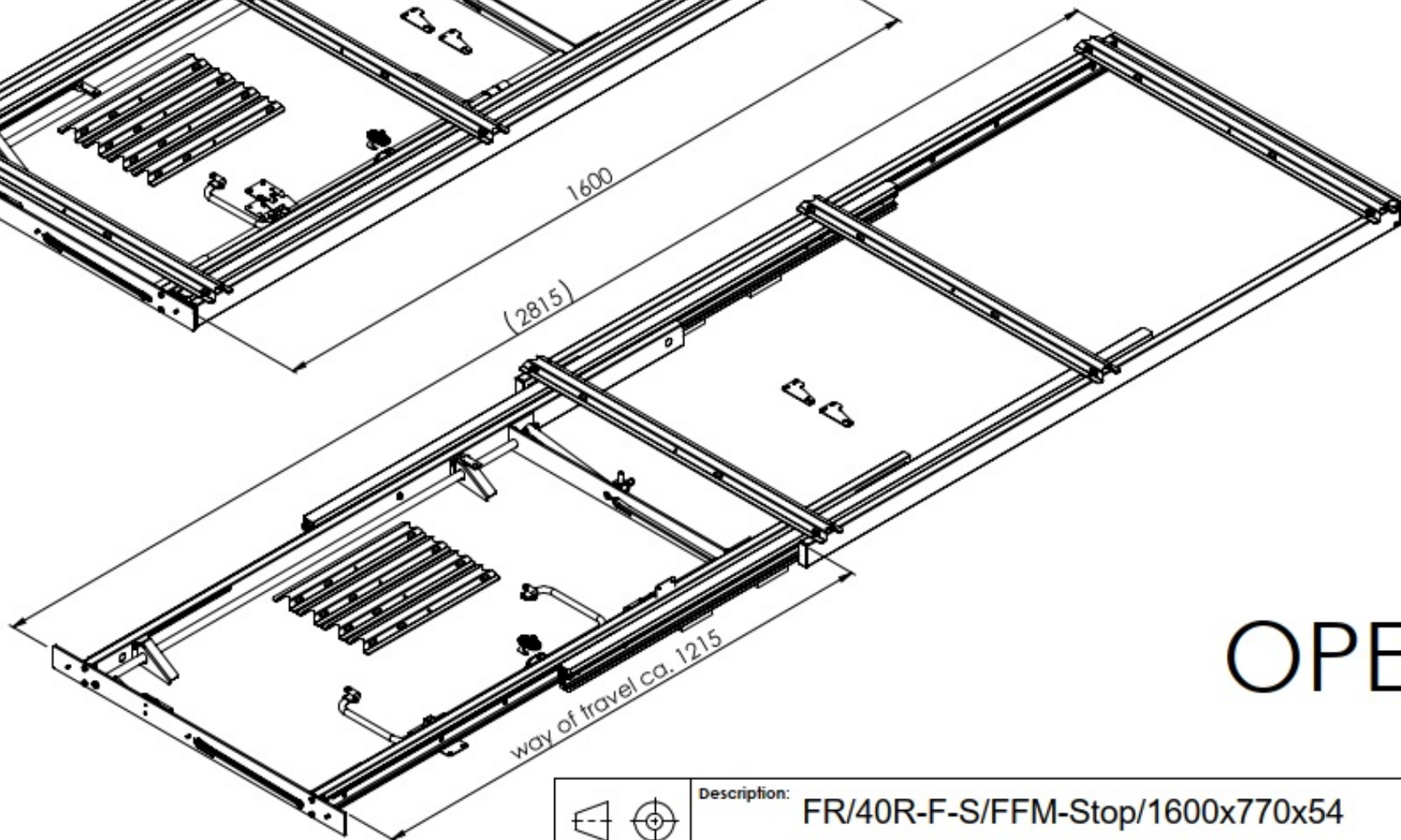
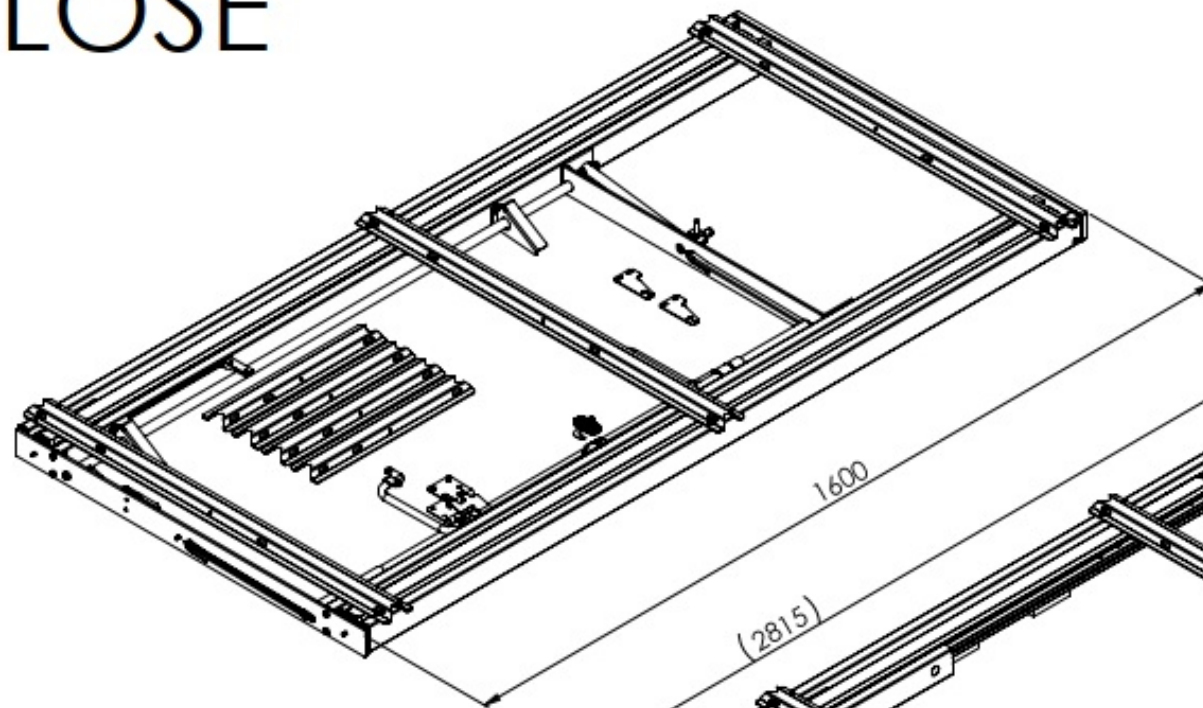


CLOSE



OPEN



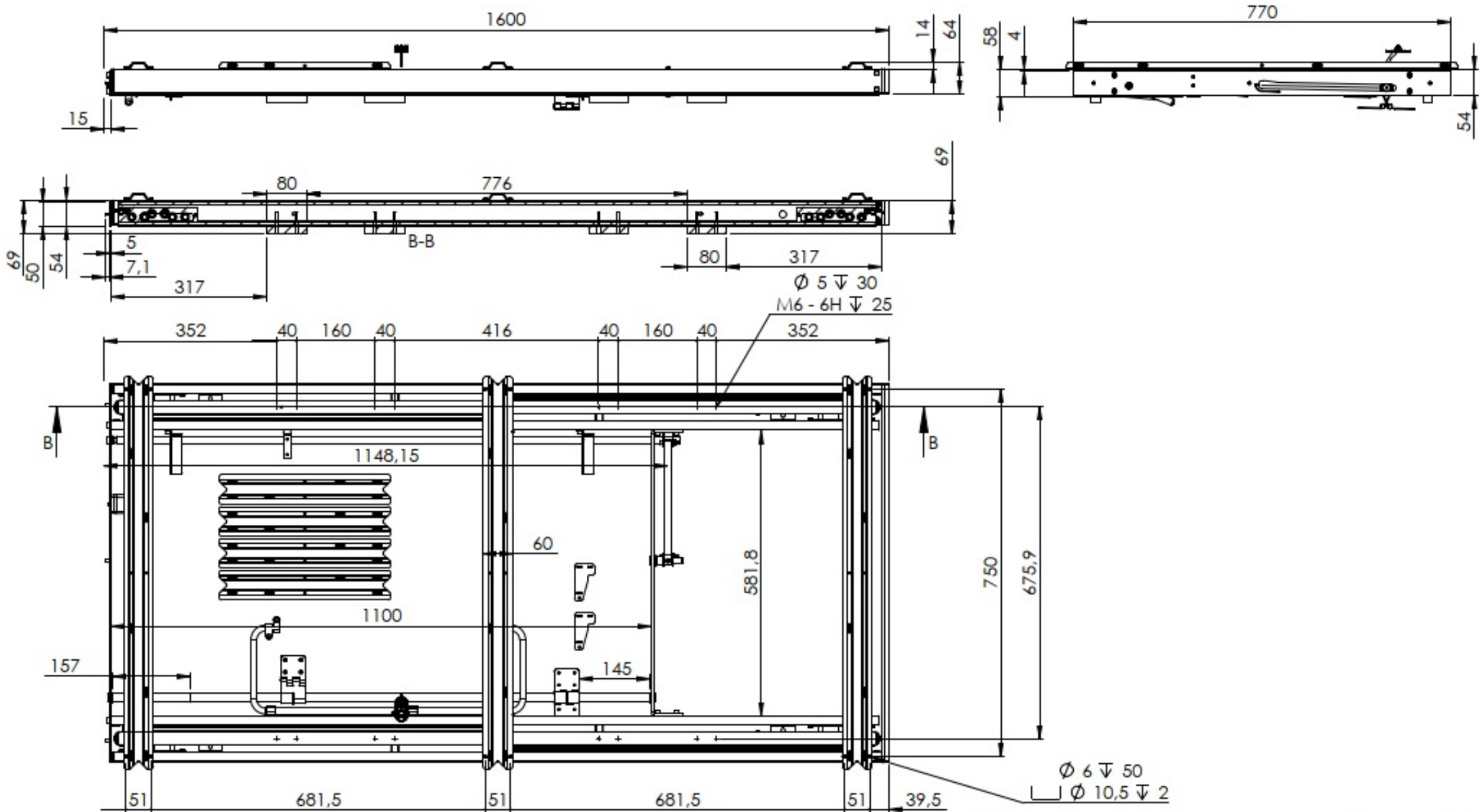
DIN ISO 128-30

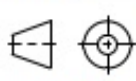
Description: FR/40R-F-S/FFM-Stop/1600x770x54

Surface:

Material:

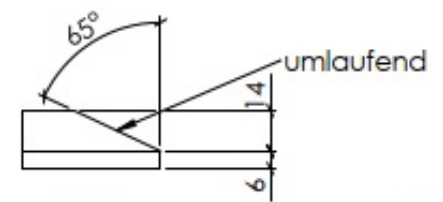
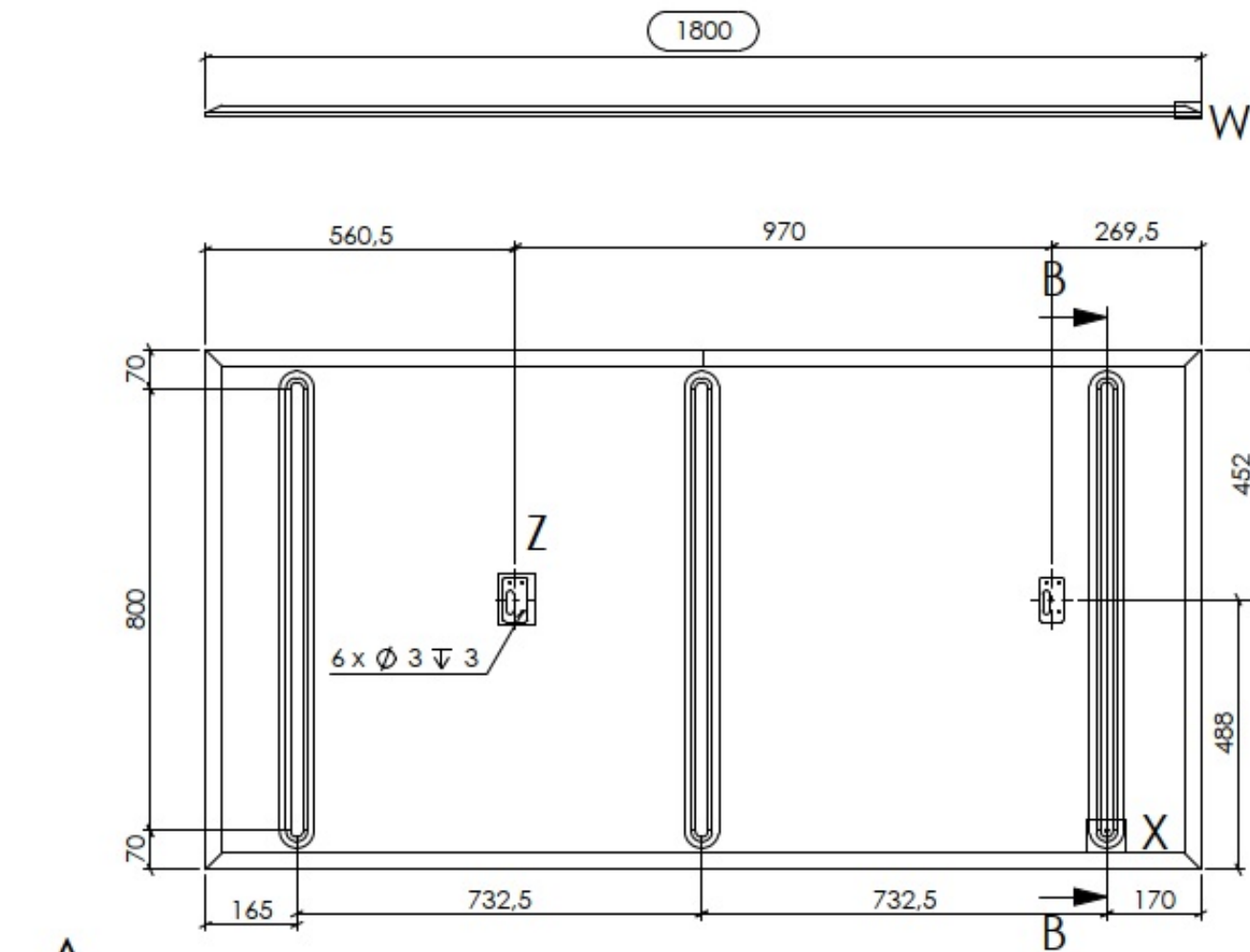
Weight: 41.77 kg



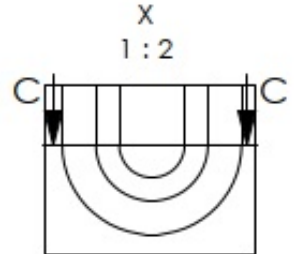
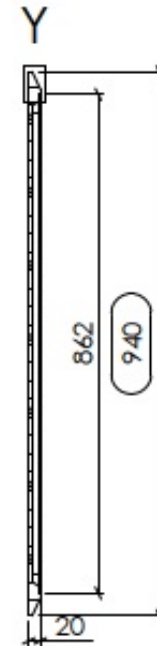
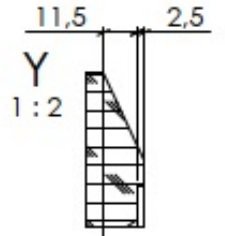
Index	Change	Date	Name
 <small>DIN ISO 128-30</small>	Description: FR/40R-F-S/FFM-Stop/1600x770x54		
	Surface:	Material:	Weight: 41.77 kg

way of travel : ca. 1215mm

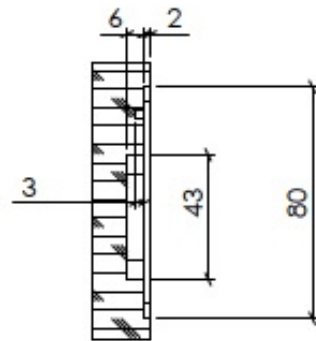
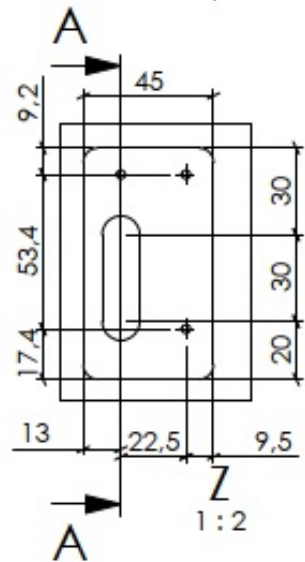
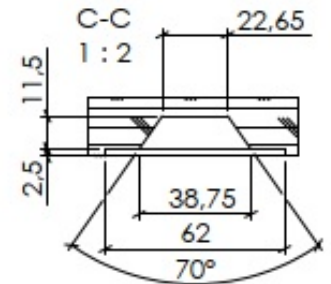
Item No: 2022-011-200



W
1:2

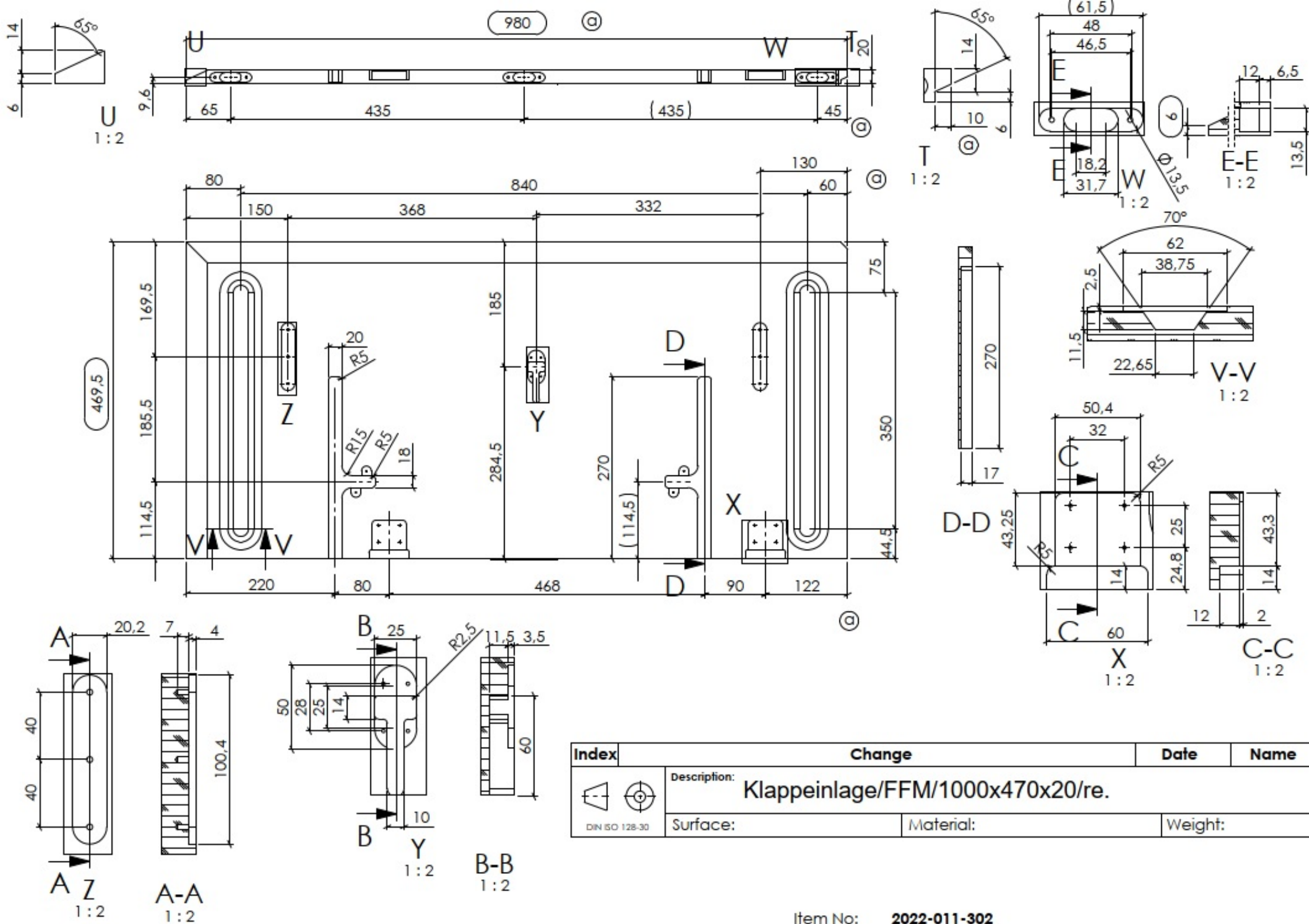


B-B



Index	Change	Date	Name
 DIN ISO 128-30	Description: Tischplatte 1800x940x20		
Surface:	Material:	Weight:	

Item No: 2022-011-300



Index	Change	Date	Name
 DIN ISO 128-30	Description: Klappeinlage/FFM/1000x470x20/re.		
Surface:	Material:	Weight:	

